

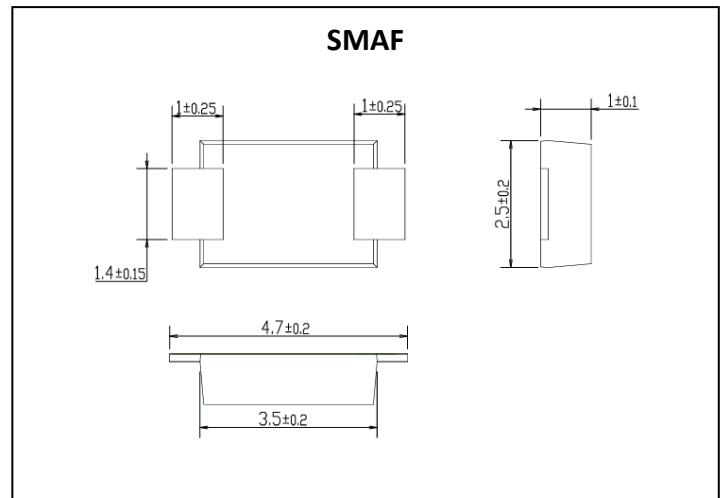
M1F-M7F Schottky Rectifier

Feature

- I_o : 1A
- V_{RRM} : 50V-1000V
- Glass passivated chip
- High surge current capability

Application

- Rectifier



Marking

- MX: X From 1 to 7

ABSOLUTE MAXIMUM RATINGS ($T_A=25^\circ\text{C}$ unless otherwise noted)

Parameter	Symbol	M							Unit
		1	2	3	4	5	6	7	
Repetitive Peak Reverse Voltage	V_{RRM}	50	100	200	400	600	800	1000	V
Maximum RMS Voltage	V_{RMS}	35	70	140	280	420	560	700	V
DC blocking voltage	V_{DC}	50	100	200	400	600	800	1000	V
Average Forward Current	$I_{F(AV)}$	1							A
Non-repetitive Peak Forward Surge Current	I_{FSM}	30							A
Rating for fusing($t < 8.3\text{ms}$)	I^2t	3.7							A ² sec
Junction Temperature	T_J	-55 ~ +150							$^\circ\text{C}$
Storage Temperature	T_{STG}	-55 ~ +150							$^\circ\text{C}$

ELECTRICAL CHARACTERISTICS ($T_A=25^\circ\text{C}$ unless otherwise noted)

Parameter	Symbol	Test Condition	MAX	Unit	
Peak Forward Voltage	V_F	$I_F = 1\text{A}$	1.1	V	
Peak Reverse Current	I_{RRM1}	$V_{RM} = V_{RRM}$	$T_A = 25^\circ\text{C}$	5	μA
	I_{RRM2}		$T_A = 125^\circ\text{C}$	50	μA
Thermal Resistance(Typical) ¹⁾	$R_{\theta J-A}$	Between junction and ambient	70	$^\circ\text{C}/\text{W}$	
	$R_{\theta J-L}$	Between junction and terminal	30	$^\circ\text{C}/\text{W}$	

Note: 1.Units mounted on PCB with 10 mm x 20mmx0.1mm Copper Pads

Typical Characteristics

Fig.1-Forward Current Derating Curve

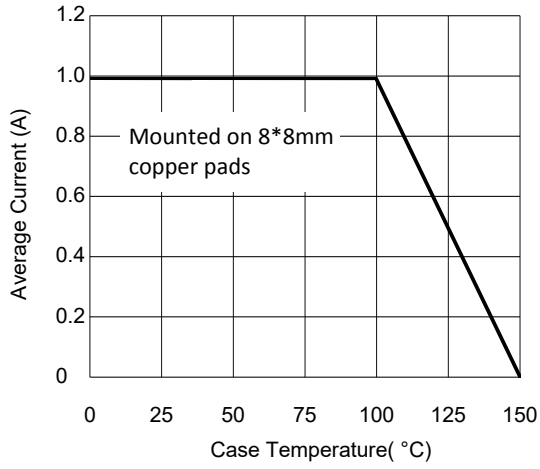


Fig.2- Surge Current Derating Curve

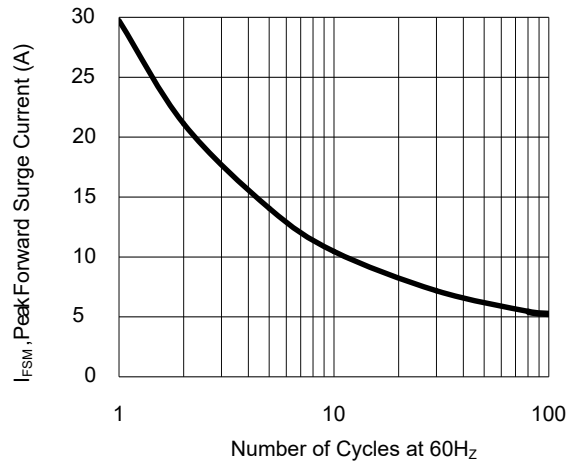


Fig.3- Typical Forward Voltage Characteristic

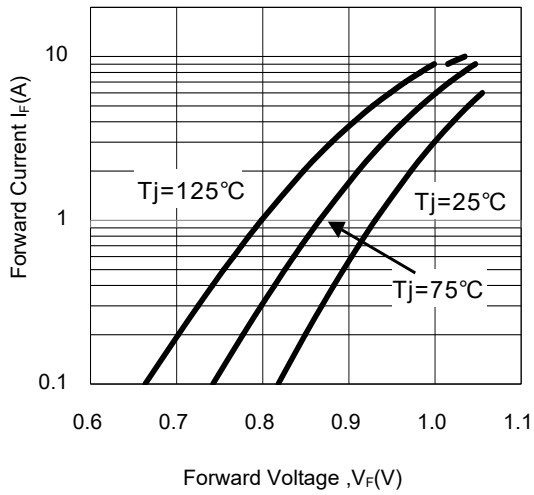
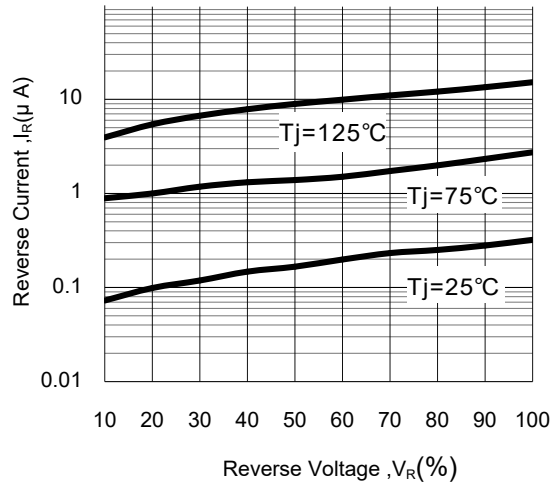


Fig.4- Typical Reverse Characteristic



Attention:

- GreenPower Electronics reserves the right to improve product design function and reliability without notice.
- Any and all semiconductor products have certain probability to fail or malfunction, which may result in personal injury, death or property damage. Customer are solely responsible for providing adequate safe measures when design their systems.
- GreenPower Electronics products belong to consumer electronics or other civilian electronic products.